

## 1 Kits for direct mount on PD and LC meters

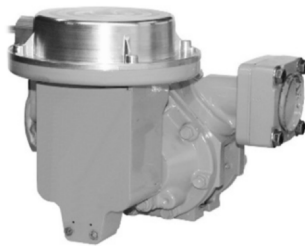
Eltomatic has developed a simple solution which allows you to quickly replace a mechanical register with an electronic encoder assembly. A sturdy aluminum housing with an Ex approved encoder mounted inside is easily attached to the flowmeter using only 4 bolts.

The cable outlet on the housing can be threaded for a conduit tube or a cable gland. The type of thread can be specified. The encoders are also available with Ex approved armored cable.

Encoder shaft couplings are available to suit most meters found on the market and the encoder electronic parameters can be specified to suit individual requirements as well as local and national Weights & Measures requirements.



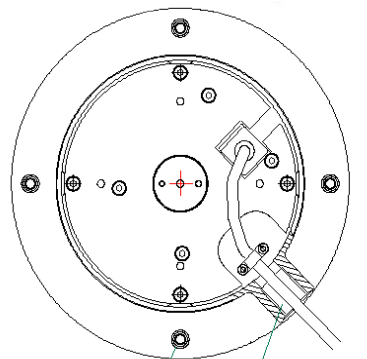
01-09 encoder mounted in aluminium cover.



Direct mount on LC meter.

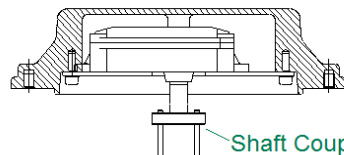


Direct mount on Petrol Instrument.



Mounting holes  
M4, M6 or 1/4"

Cable gland.



Shaft Coupling

## 1.1 Default kit 99.5007

For easier mounting Eltomatic offers a kit solution (part no. 99.5007) where all necessary parts are included.

Included in the kit no. 99.5007:

Description	Part no.
1pcs Aluminum cover	70.1051
1pcs Aluminum mounting bracket	71.1029
4pcs M4x10mm – hex head screw	51.1530
4pcs M4x6mm – hex head screw	51.1510
2pcs M3x8mm cylinder head screw	51.0220
1pcs plastic cable clamp	59.2520

The following are **NOT** included in the kit and must be ordered separately\*:

Description	Part no.
1pcs Encoder 01-09	98.XXXX
1pcs sealing gasket from cover to meter (optional)	56.0501
1pcs plastic cable clamp (optional)	59.2520
1pcs Mounting instruction Manual (optional)	00.6001

Typically used 01-09 shaft couplings:

Meters	Shaft coupling
Smith meter	<p style="text-align: center;">Part no. 62.0145</p>
Sampi meter	<p style="text-align: center;">Part no. 62.0138</p>

\* If kit and encoder are ordered together it will be factory assembled.

## 2 Kits for direct mount on Avery Hardoll & Meggit Meters



Avery Hardoll meter



Eltomatic Aluminum cover fits 01-08 and 01-09 encoders



Eltomatic aluminum cover

Included in the kit no. 99.5043:

Description	Part no.
1pcs aluminum cover	70.1062
1pcs aluminum bracket	71.1029
4pcs M4x10mm – hex head screw	51.1530
4pcs M4x6mm – hex head screw	51.1510
2pcs M3x8mm – hex head screw	52.0220
1pcs plastic cable clamp	59.2520

The following are **NOT** included in the kit and must be ordered separately\*:

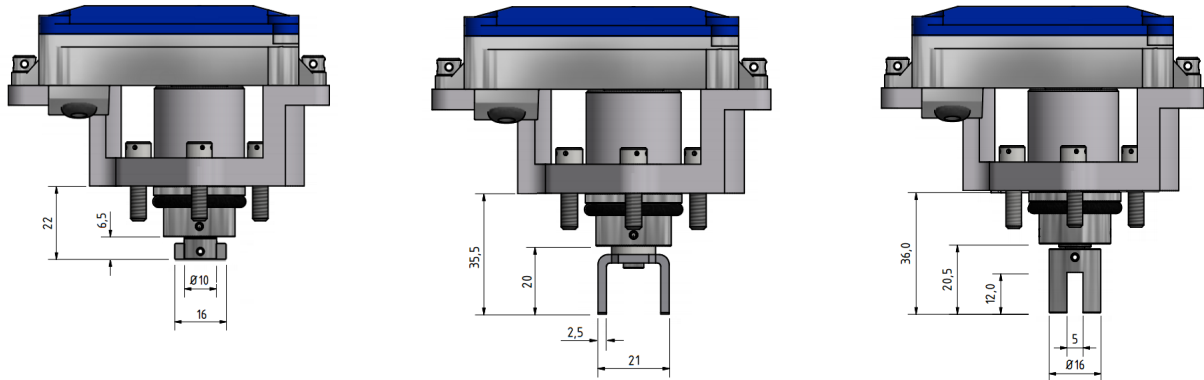
Description	Part no.
1pcs shaft encoder 01-08 or 01-09 various specs.	98.xxxx

Typically used 01-09 shaft couplings:

Meters	Shaft coupling
Avery Hardoll/Meggit meter	<p style="text-align: center;">Part no. 62.0245</p>

\* If kit and encoder are ordered together it will be factory assembled.

## 3 Kits for direct mount on TCS/LC Meters



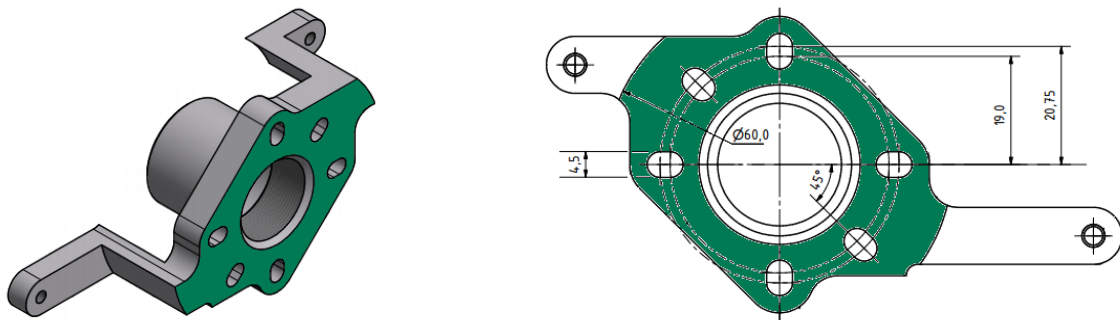
01-09 encoder with **split** coupling    01-09 encoder with **fork** coupling    01-09 encoder with **piston** coupling

3 kits variants based on the 01-09 encoder are available for direct mount on TCS/LC meters.

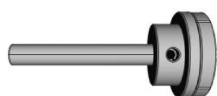
Kits cannot be ordered separately. Kits must be ordered together with a 01-09 encoder and encoder and kit will be factory assembled.

Description	Part no.
01-09 encoder with <b>split</b> coupling. Mounting bracket holes (x6) 4.5mm	99.5055
01-09 encoder with <b>split</b> coupling. Mounting bracket holes (x6) 5.0mm	99.5055A
01-09 encoder with <b>fork</b> coupling.	99.5056
01-09 encoder with <b>piston</b> coupling.	99.5057

\*The encoder 01-09 (98.XXXX) is not included in the kit.



Mounting bracket dimensions.



Shaft coupling 62.0402 for 01-09 encoder