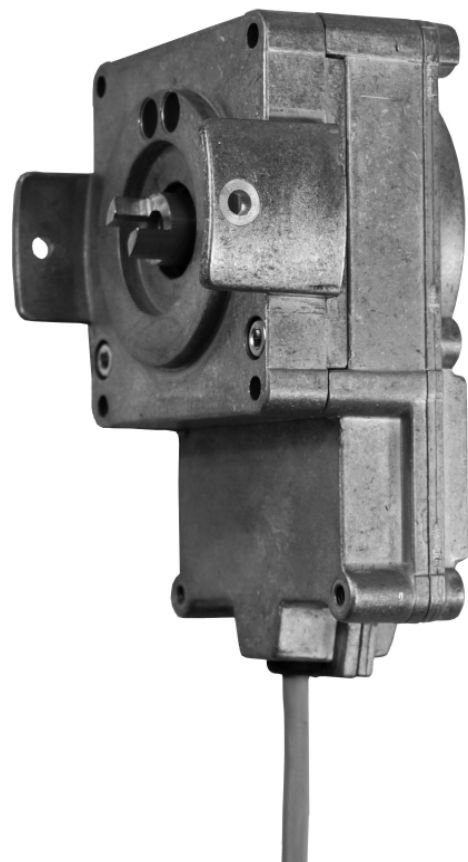


ELTOMATIC

Complete solutions between meter and computer

Customized Brackets and Couplings



Eltomatic A/S • Fabriksvej 6 • DK9490 Pandrup • Denmark

Phone +45 9824 6166 • Fax +45 9824 6310 • www.eltomatic.com • eltomatic@eltomatic.com

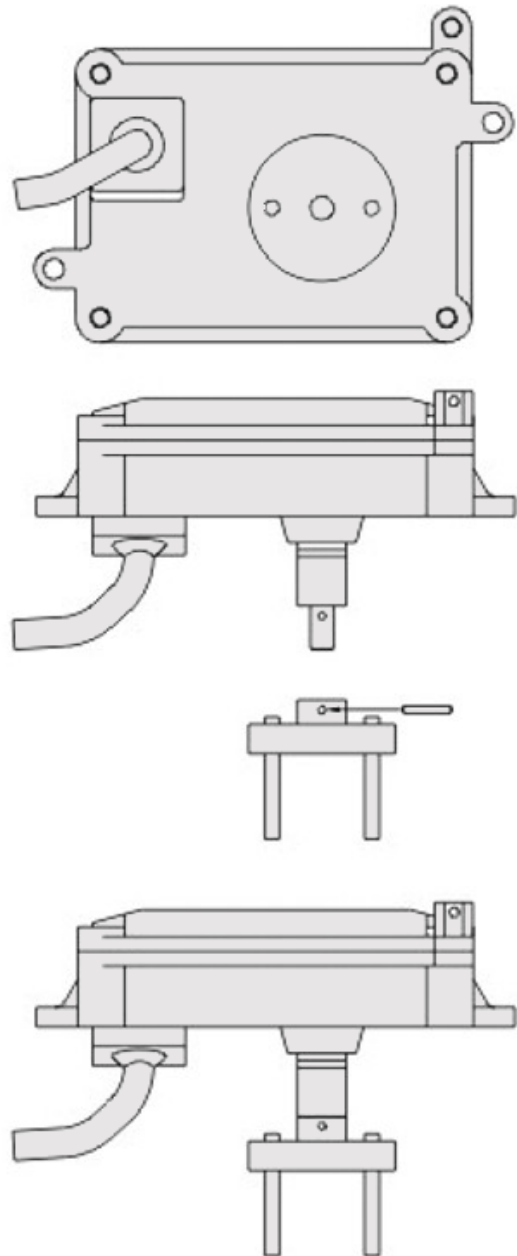
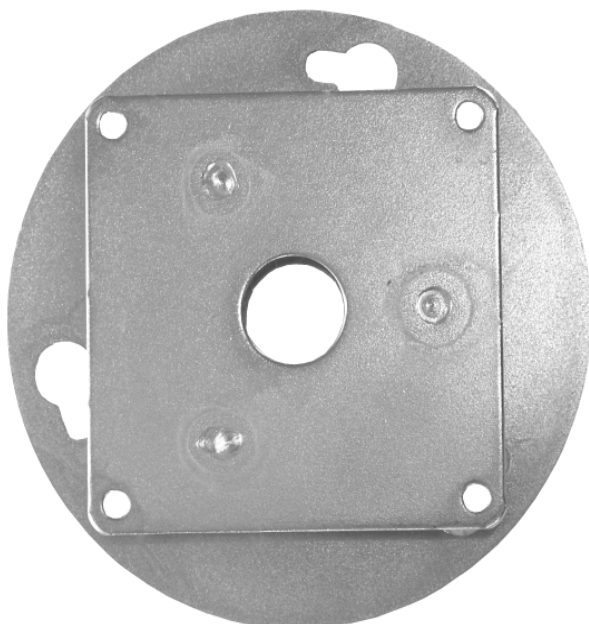
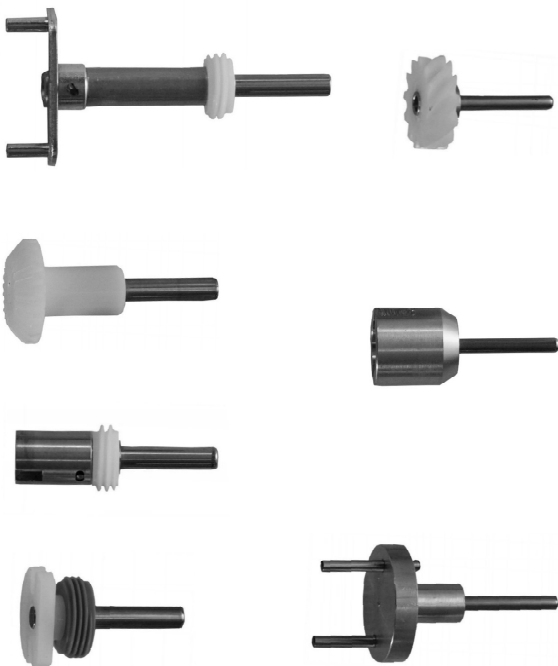
Customer specified solutions - Brackets

When it comes to mounting the encoder on a meter top, many customers have developed their own bracket but Eltomatic can also supply specially designed brackets that we have developed for the most commonly used meters.

We are also able to supply brackets designed either by the customer alone or in cooperation with Eltomatic.

Material and finish can also be decided by the customer. Brackets are usually made from sheet metal but they can be moulded aluminium or plastic.

We also have a selection of sealing screws available for sealing the encoder to the bracket and the bracket to the meter.



Customer specified solutions – Shaft Couplings

The encoder is normally supplied with a so-called "coupling" mounted on the encoder shaft to make the shaft interface with the meter easy. This coupling can take many forms, all depending on the design of the meter drive coupling.

Installation of a shaft encoder in an application is done by mounting the encoder in such a way that it is fixed and the encoder shaft coupling interfaces with the rotating meter output shaft coupling. There are holes on the encoder that can be used for fixing. When installing the shaft encoder, it is important to ensure that there is no axial or radial load on the encoder shaft and all our couplings are designed with this in mind. We have a large selection of couplings available from stock and they can also be made according to a customer's specification.