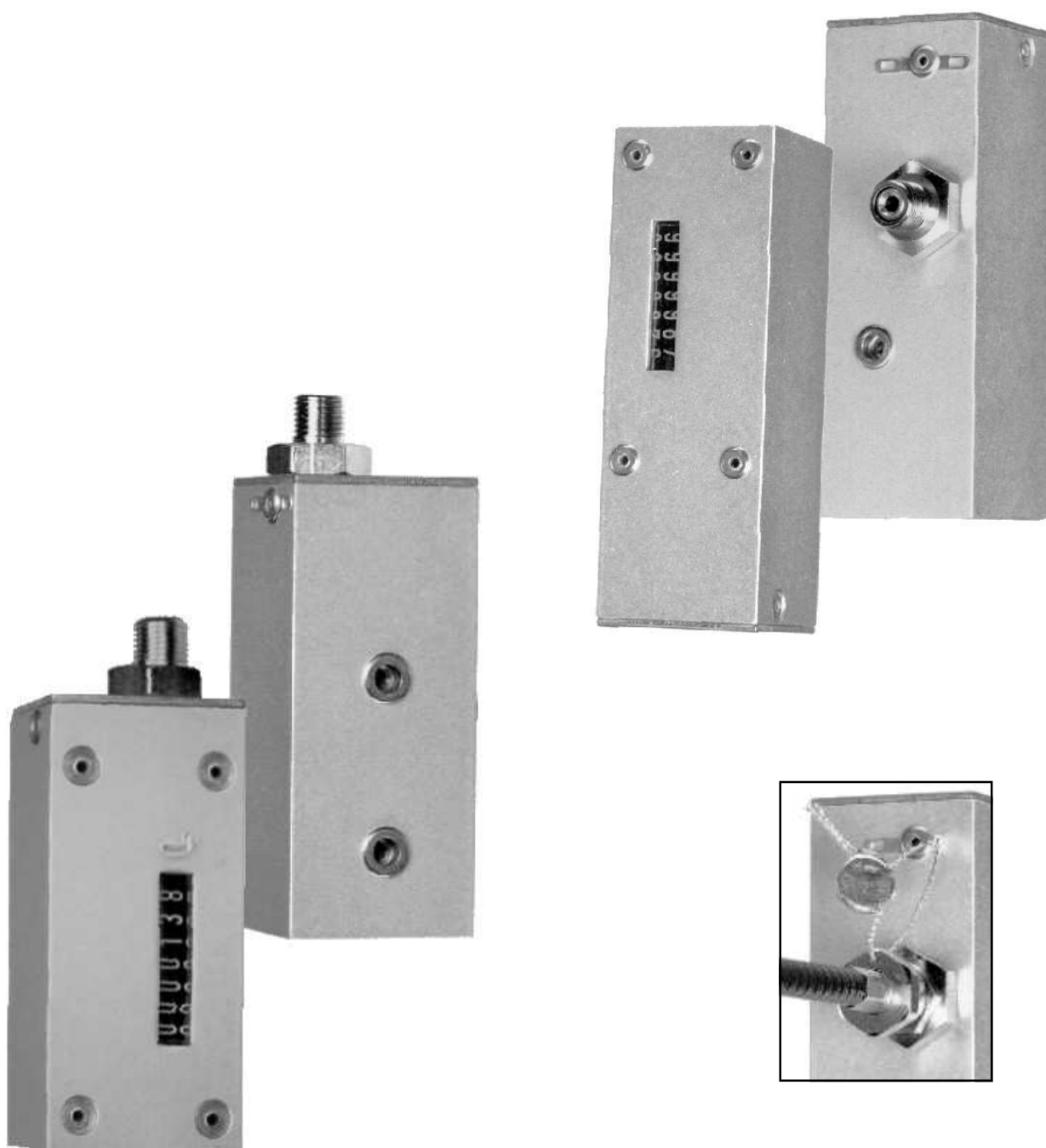


ELTOMATIC

Complete solutions between meter and computer

EZ2 and EZ5 Remote Totalizers



Eltomatic A/S • Fabriksvej 6 • DK9490 Pandrup • Denmark

Phone +45 9824 6166 • Fax +45 9824 6310 • www.eltomatic.com • eltomatic@eltomatic.com

EZ2 and EZ5 Remote Totalizers

To supplement Eltomatic's Ex-approved incremental shaft encoders, we have a wide range of mechanical totalizers. This program consists of totalizers integrated with the shaft encoder or, alternatively, a gearbox integrated with the shaft encoder and connected via a flexible drive shaft to a remote totalizer.

Both the EZ2 and EZ5 can be mounted remotely from the shaft encoder. EZ2 has the connector placed on the side of the housing and EZ5 has the connector placed on the end of the housing.

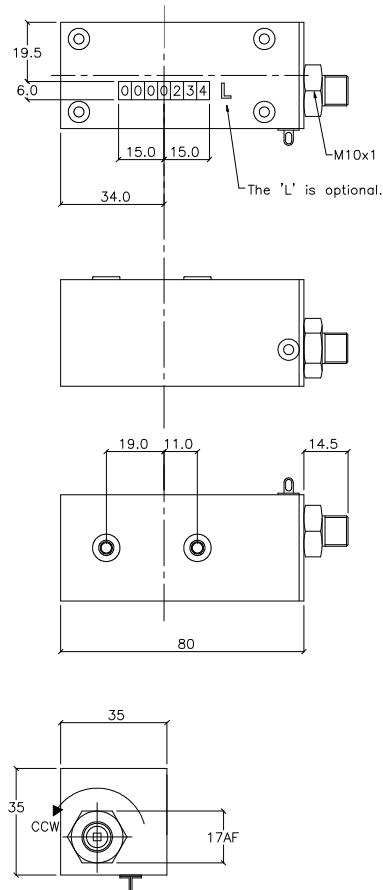
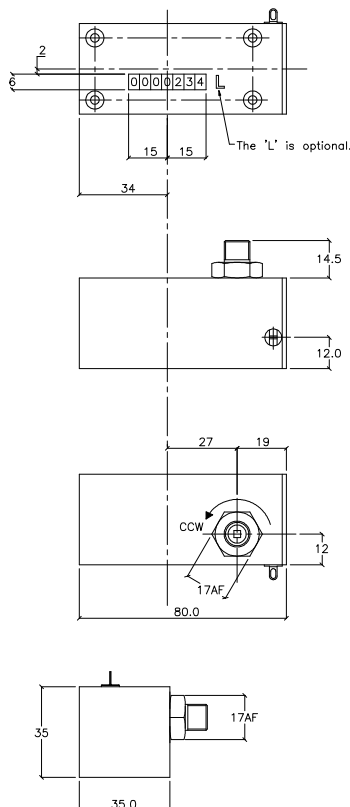
In fuel dispensers which must be fitted with a 'non-erasable' totalizer to monitor the total 'pumped' liters, the following system can be used:

Shaft encoder
Flex-drive gearbox
Flex-drive cable or connector set
Totalizer

The totalizer consists of a mechanical, non-resettable 7 digit counter, which is mounted in a sturdy aluminium housing. The counter is read through a plastic window which is lensed to enlarge the digits and can, due to the flexible drive cable be mounted more or less where required. The counter can be supplied complete with M4 Pop nuts' for easy mounting and, should the standard model prove unsuitable for an application, it is possible to custom design special versions.

Options

The EZ2 is available in a standard length version and a shortened version.



Sealing arrangement

The flex-drive cable can be sealed to the totalizer using a sealing wire pulled through a hole in the union nut and a small tag attached to the housing by a rivet.

Accessories

For connection between the shaft encoder/gearbox and the totalizer a range of flex-drive cables in various lengths are available. Special lengths can be supplied on request.

As an alternative to the flex-drive cable, a compact 'Connector set' allowing direct mounting of the totalizer to the gearbox is available. If connected to an Eltomatic shaft encoder type 01-08 an integrated EZ 2 gearbox can be used.

Specifications

Drive shaft ratio	1:10 or 1:20 but other drive ratios can be specified.
Display	7 digit - 4 mm enlarged 1.3:1 white on black
Flex-drive connection	Square hole 2.6 mm/M10 thread coupling
Housing	35 mm anodized box profile aluminium
Sealing	Pop riveted eye tag on housing
Marking	Optionally an 'L' stamped to the right of the display
Label	Optional